

dēkko
INTERIORS

INTERIORS

ULISSES

ULISSES

Top Finishes
Melamine (MFC)
Perfect Sense
Writable Laminate.

Steel sheet metal Flip top
mechanism with handles.
Polypropylene (PP) cover.

Leg with rectangular steel pipe
column 60x30 mm with die-cast
aluminum foot.
Epoxy powder painting
Black RAL 9005
White RAL 9003
Grey.

Swivel castor with pedal brake
ø75 mm in polypropylene (PP) +
anti-trace thermoplastic rubber.

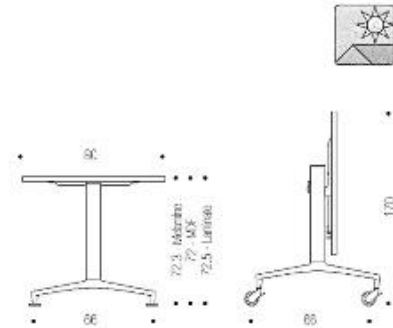


Grey linking device in
nylon to join table tops
(optional).

4 or 6 resealable module (White,
Black or Grey) painted steel for
electricity and/or multimedia system.
Available with single cable
management (optional).

Polypropylene (PP)
cable management.

Modesty panel
MCF
Lacquered MDF in Perfect Sense.



Structure Finishes



Leg with rectangular steel pipe column 60x30 mm with die-cast aluminum foot.
 Epoxy powder painting.
 6 Finishes available:
 Column Black RAL9005 / Foot Black RAL9005
 Column Grey / Foot Grey
 Column white RAL9003 / Foot White RAL9003
 Column Black RAL9005 / die-cast aluminum polished foot
 Column Grey / die-cast aluminum polished foot
 Column White RAL9003 / die-cast aluminum polished foot.

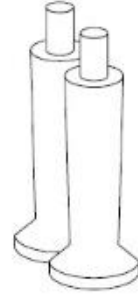
Top Finishes





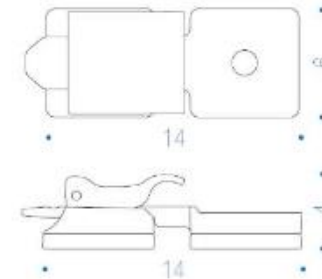
Pair of aluminum feet with black base.

KIT14



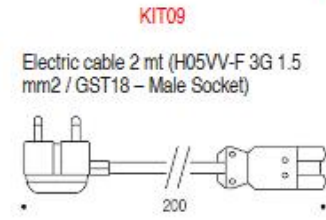
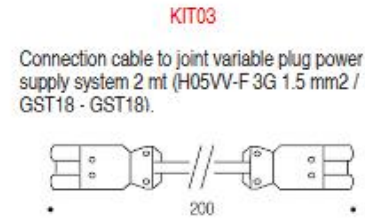
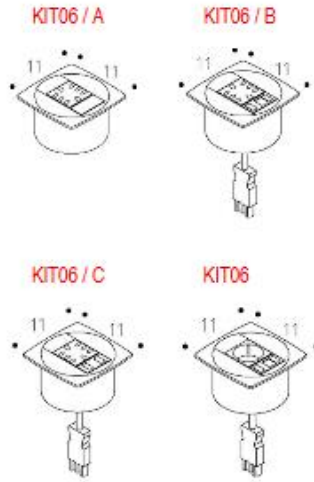
Grey linking device in nylon to join table tops.

AGG10

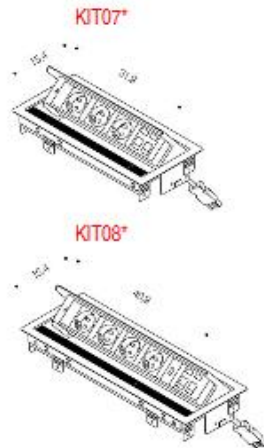




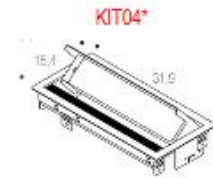
Single module in ABS for electricity and/or multimedia and system cable management.



4 or 6 module steel box for electricity and/or multimedia.



Cable management resealable module (White, Black or Grey) painted steel box.



*International Sockets

Rev.01042019



Suko



French



Italian



Danish



Swiss



British



American



Euro-American

*Multimedia Accessories



VGA



VGA+Stereo



Stereo



USB 2.0

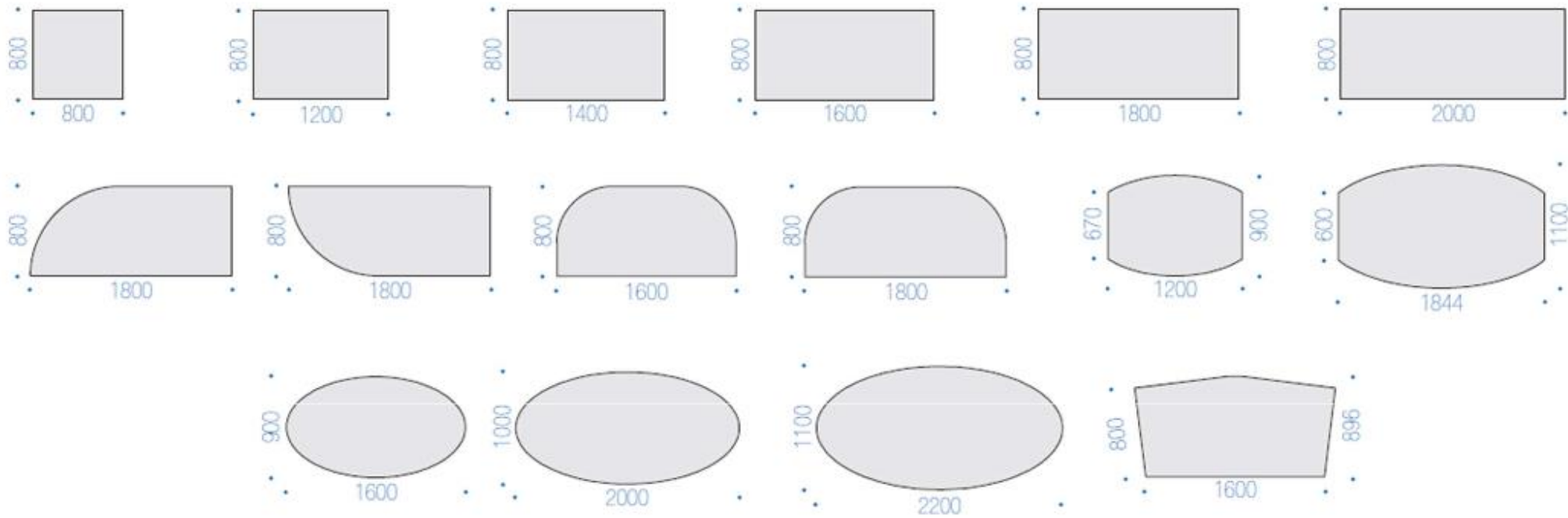


HDMI

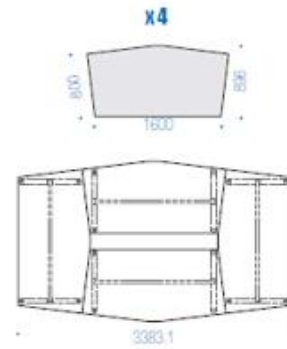
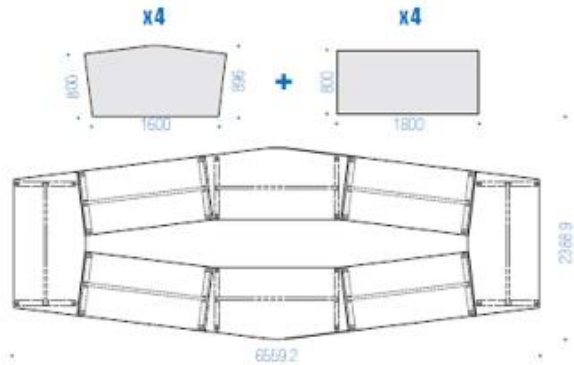
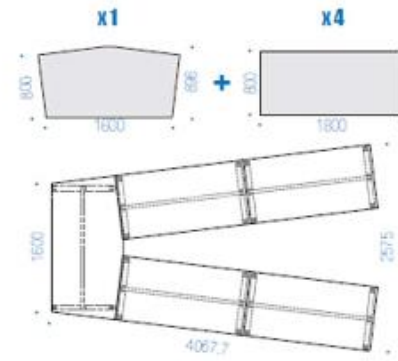
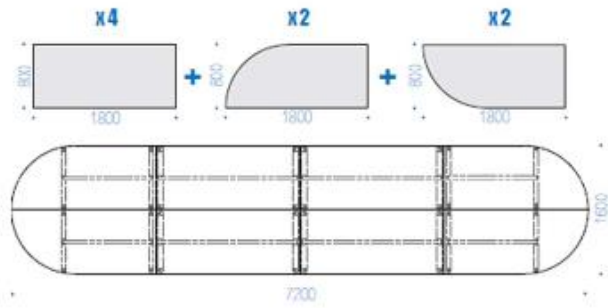
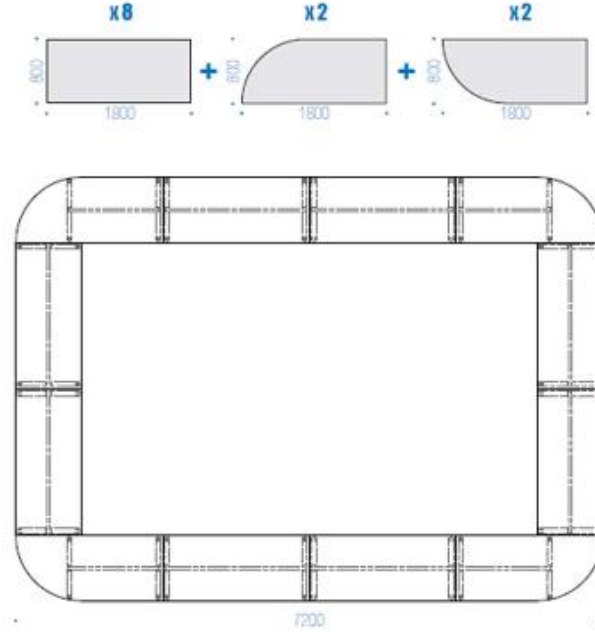
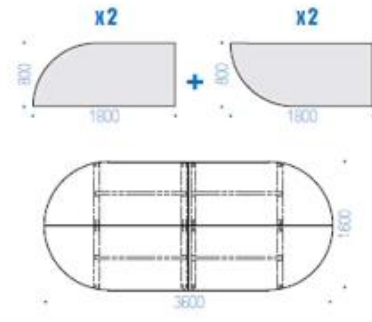
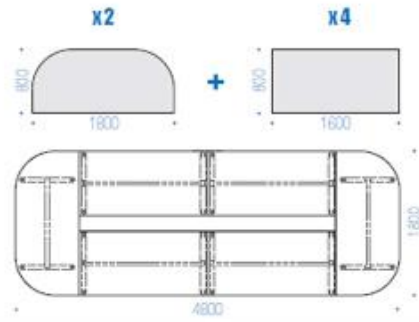


RJ45

Shapes and dimension tops



Compositions



Cleaning

For the metal parts, we recommend to only use a damp cloth with alcohol and to dry all very well after cleaning.
For the MFC or lacquered MDF Perfect Sense surface top, use a damp cloth with neutral liquid detergent.
Do not use solvents, trichloroethylene, acetone or ammonia.

Guaranteed

Our products are guaranteed for 5 years.
(detailed guarantee document available upon request).



UNI EN 1730:2000

Compliance certificate with BS EN 15372:2016, level 3°.



Compliance certificate with ANSI/BIFMA X5.5-2014.