

dekko
INTERIORS

INTERIORS

ARCHIMEDE

Top Finishes
Melamine (MFC)
Perfect Sense
Writable Laminate.

Steel sheet metal Flip top mechanism
with handles. Black Polypropylene
(PP) cover.

Leg with oval steel pipe column
60x30 mm with conical end,
elliptical steel pipe feet 60x30 mm.
Epoxy powder painting
Black RAL 9005
White RAL 9003
Grey
Black column with Chromium feet.

Swivel castor with kick pedal brake
ø 75 mm.
Polyamide support with anti-trace
thermoplastic rubber tread.

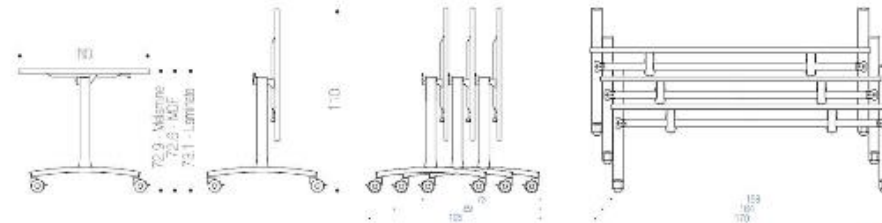
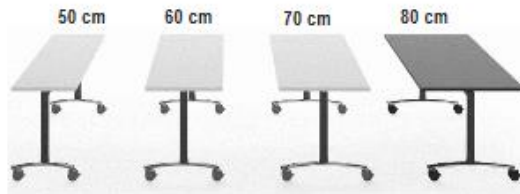


Grey linking device in
nylon to join table tops
(optional).
4 or 6 resealable module (White,
Black or Grey) painted steel for
electricity and/or multimedia system.
Available with single cable
management (optional).

Black Polypropylene (PP)
cable management.

Modesty panel
MCF
Lacquered MDF in Perfect Sense
(optional).

Steel sheet metal vertical cable
management (optional).



Structure Finishes



Leg with oval steel pipe column 60x30 mm with conical end, elliptical steel pipe feet 60x30 mm.
 Epoxy powder painting.
 4 Finishes available:
 Black RAL 9005
 White RAL 9003
 Grey
 Black column with Chromium feet.

Top Finishes

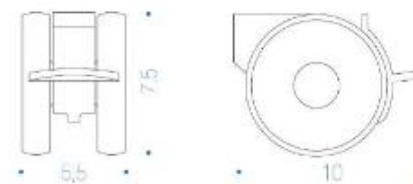




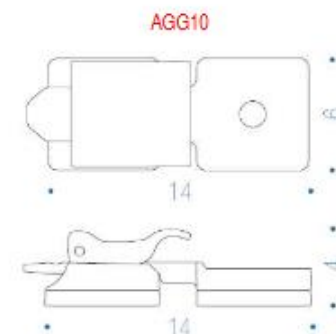
Swivel castor with kick pedal brake \varnothing 75 mm. Polypropylene support with thermoplastic rubber tread. Suitable for carpet floors. Load capacity (static) 120 kg.



Pin castor is screwed to the nut placed internally of the nylon castor holder to guarantee lasting resistance.

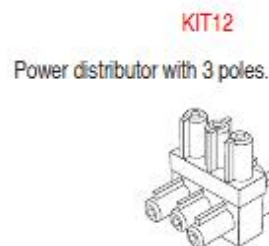
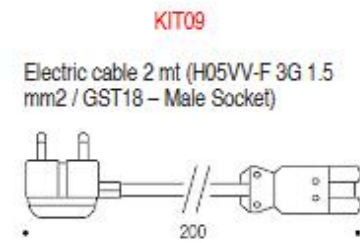
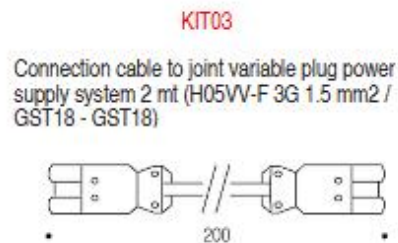
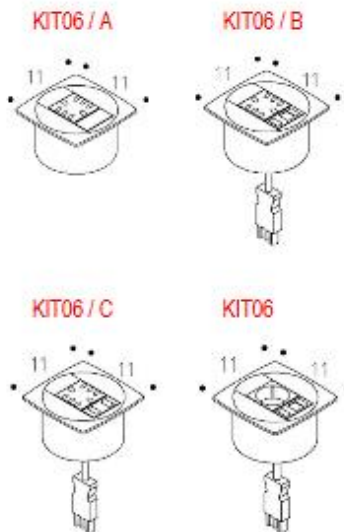


Grey linking device in nylon to join table tops.

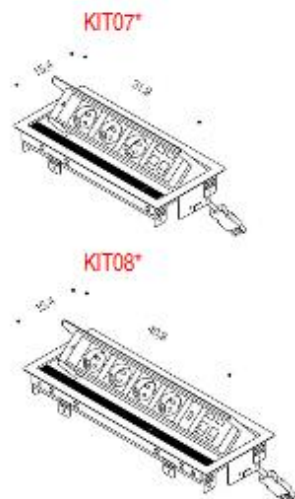




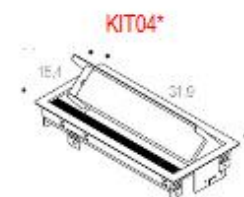
Single module in ABS for electricity and/or multimedia and system cable management.



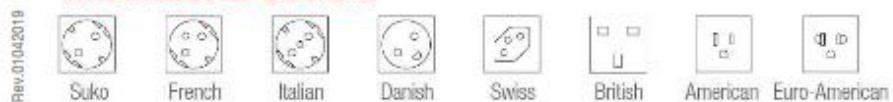
4 or 6 module steel box for electricity and/or multimedia.



Cable management resealable module (White, Black or Grey) painted steel box.



***International Sockets**

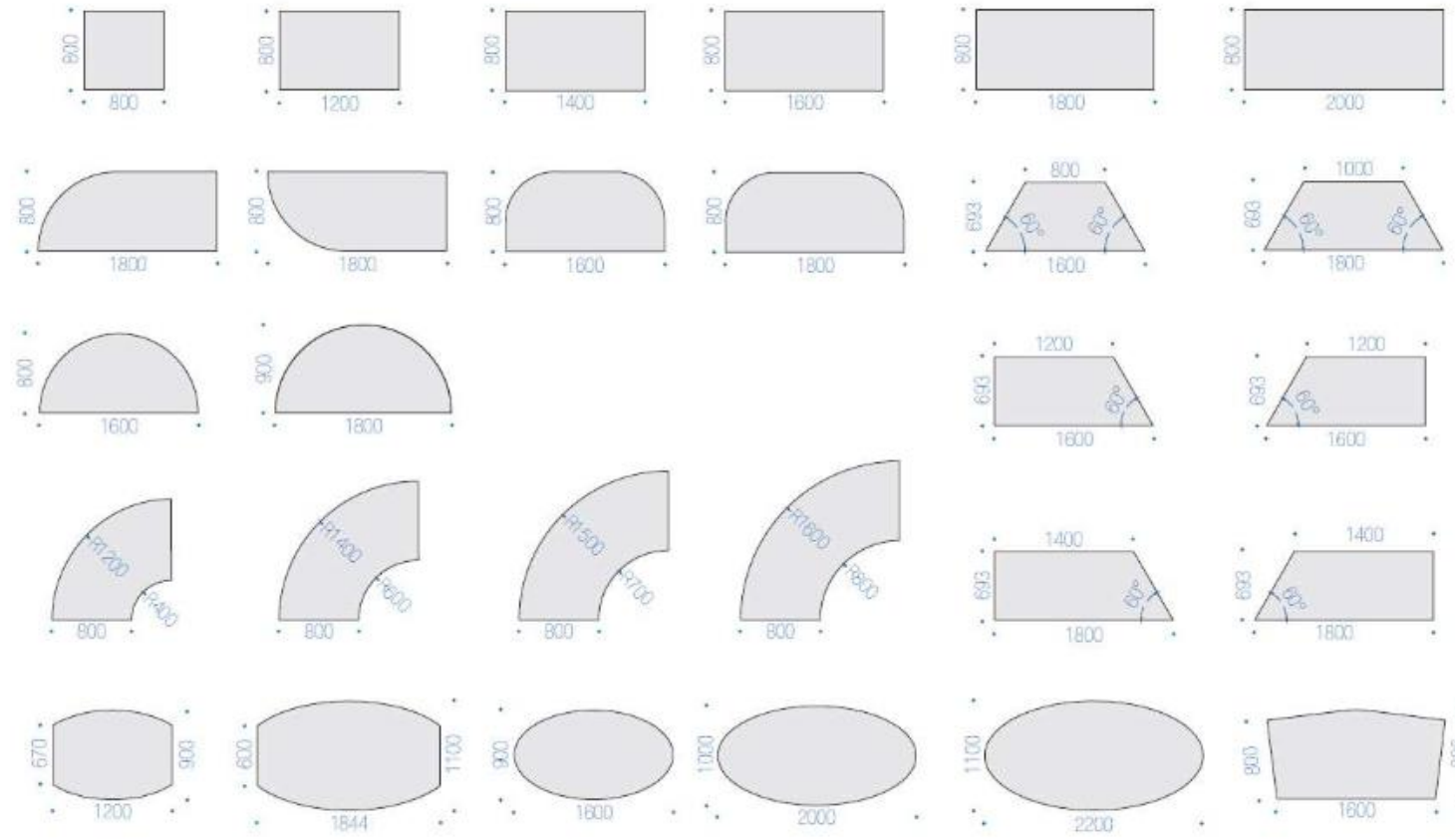


***Multimedia Accessories**

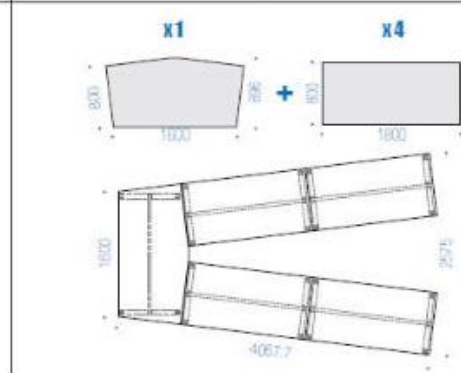
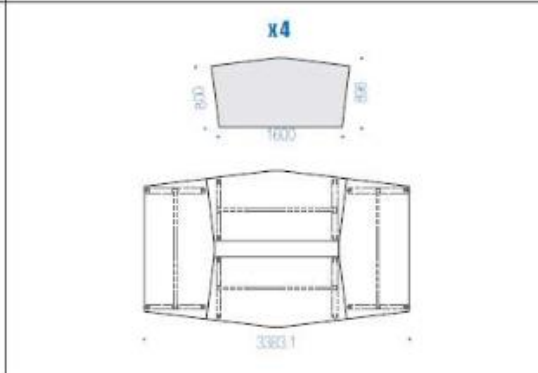
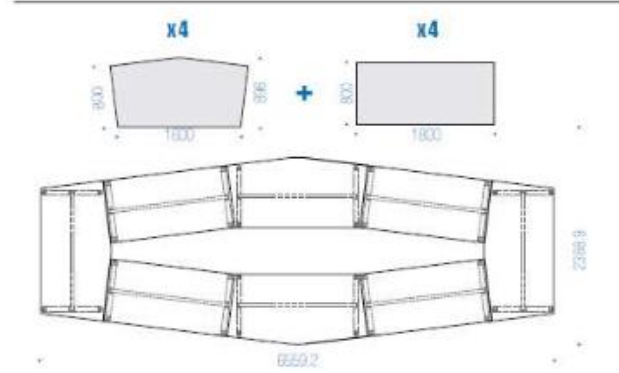
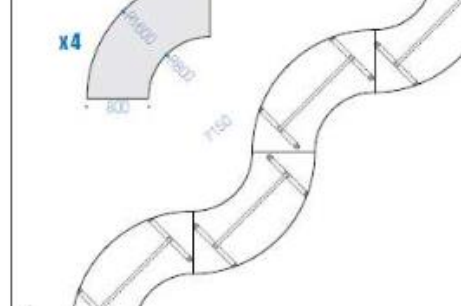
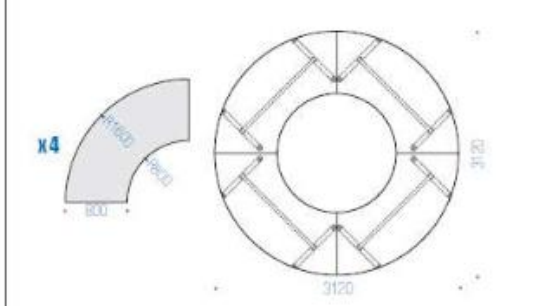
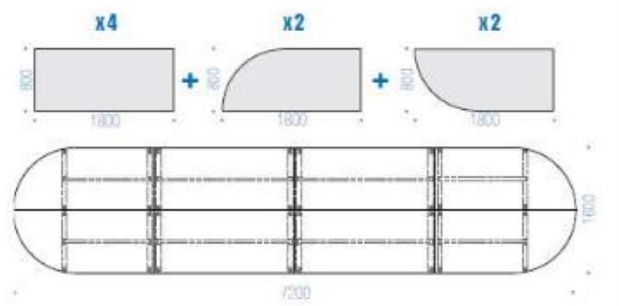
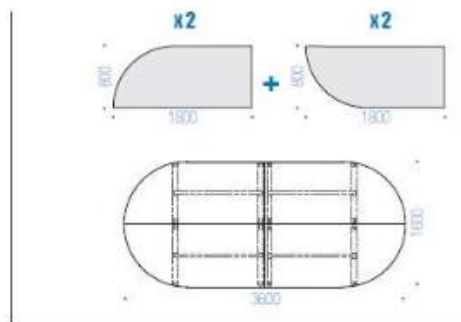
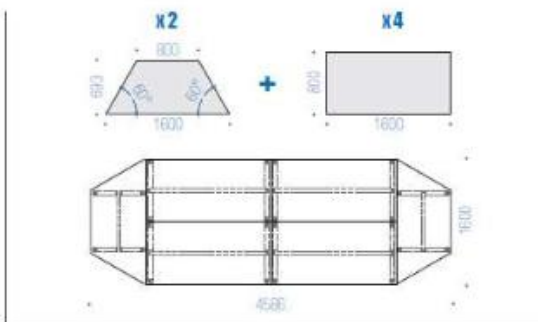
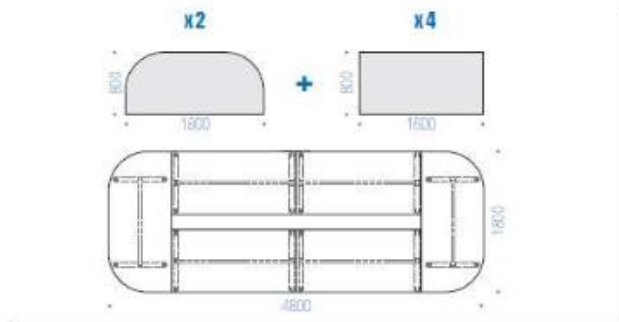


Rev.0104/2019

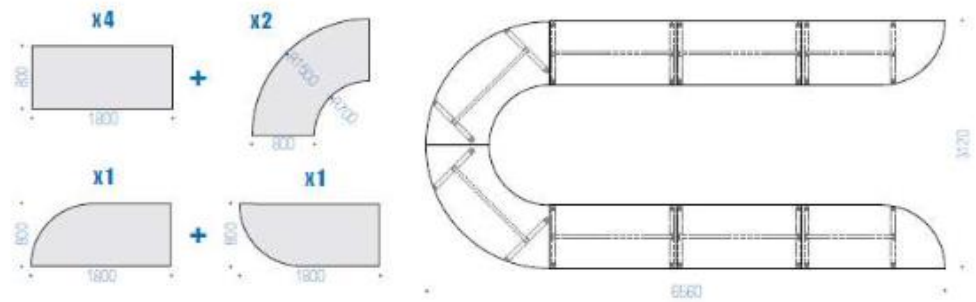
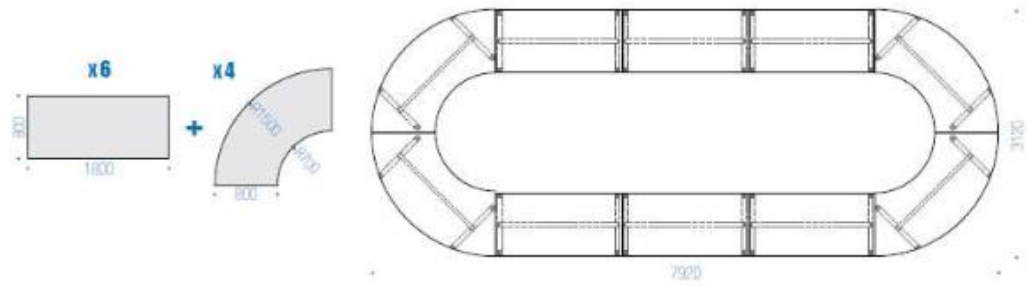
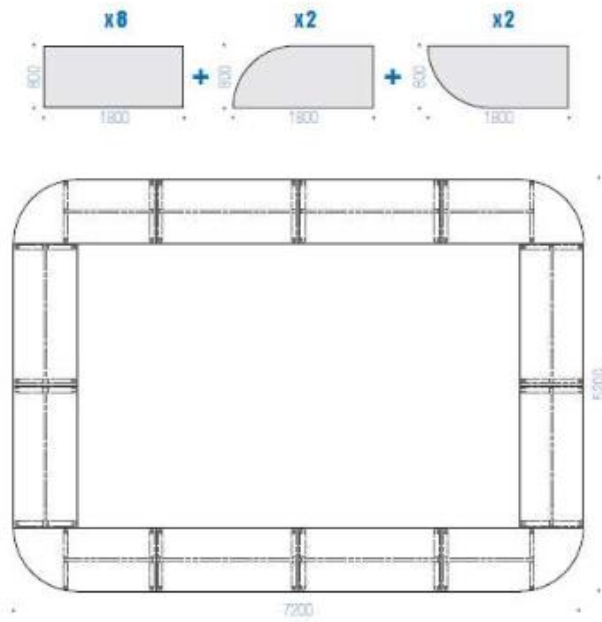
Shapes and dimension tops



Compositions



Rev. 01/04/2019



Cleaning

For the metal parts, we recommend to only use a damp cloth with alcohol and to dry all very well after cleaning.
For the MFC or lacquered MDF Perfect Sense surface top, use a damp cloth with neutral liquid detergent.
Do not use solvents, trichloroethylene, acetone or ammonia.

Guaranteed

Our products are guaranteed for 5 years.
(detailed guarantee document available upon request).



UNI EN 1730:2000

Compliance certificate with BS EN 15372:2016, level 3°.



Compliance certificate with ANSI/BIFMA X5.5-2014.