

dekko
INTERIORS

INTERIORS

TELEMACO A B

TELEMACO

Top Finishes
Melamine (MFC)
Perfect Sense
Writable Laminate.

Telescopic beam.
Epoxy powder painting
Grey
White RAL 9003.

Steel sheet metal Flip top
mechanism with handles.
Polypropylene (PP) cover.

Leg with telescopic rectangular
steel pipe column 80x60 mm
with rectangular steel sheet
metal feet 70x30 mm.
Epoxy powder painting
Grey RAL 9006 polished
White RAL 9003 polished.

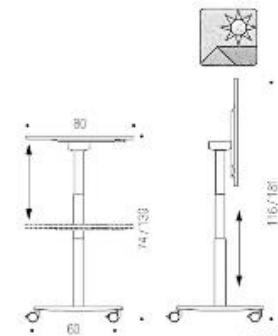
4 or 6 resealable module (White, Black or Grey)
painted steel for electricity and/or multimedia
system. Available with single cable management
(optional).

Plastic pen holder.

Height adjustment button with
ISP security system (the table
stops and moves it about 25 mm
away from the obstacles

n. 2 eletric italian
plug Schuko.

Swivel castor with pedal brake \varnothing 75 mm.
Polyamide support with anti-trace
thermoplastic rubber tread.



Structure Finishes



Leg with telescopic rectangular steel pipe column 80x60 mm with rectangular steel sheet metal feet 70x30 mm.
 Epoxy powder painting.
 2 Finishes available:
 Grey RAL 9006 polished
 White RAL 9003 polished.

Shapes and dimension tops



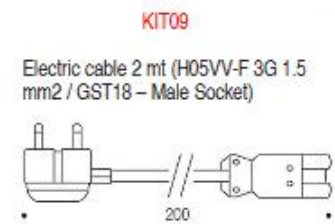
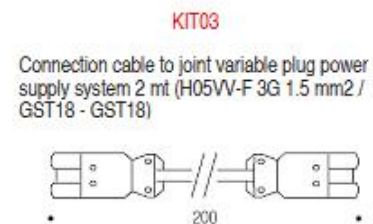
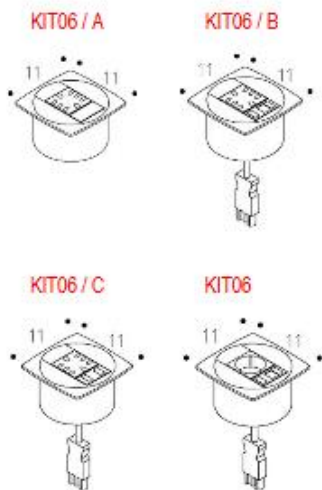
Rev. 01/04/2019

Top Finishes

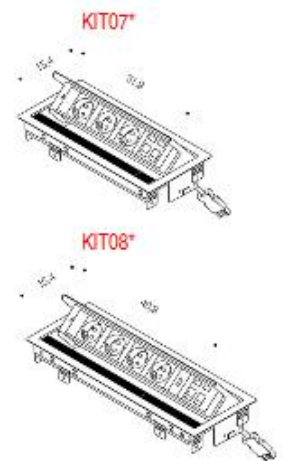




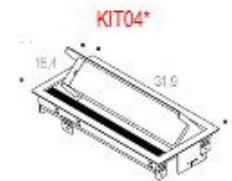
Single module in ABS for electricity and/or multimedia and system cable management.



4 or 6 module steel box for electricity and/or multimedia.



Cable management resealable module (White, Black or Grey) painted steel box.



*International Sockets

- Suko
- French
- Italian
- Danish
- Swiss
- British
- American
- Euro-American

*Multimedia Accessories

- VGA
- VGA+Stereo
- Stereo
- USB 2.0
- HDMI
- RJ45

Rev.01/04/2018

TELEMACO A B



Top Finishes
Melamine (MFC)
Perfect Sense
Writable Laminate.

Steel sheet metal Flip top
mechanism with handles.
Polypropylene (PP) cover.

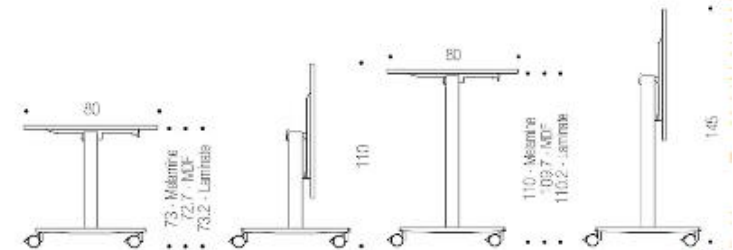
Leg with rectangular steel pipe
column 80x60 mm with rectangular
steel sheet metal feet 70x30 mm.
Epoxy powder painting
Grey RAL 9006 polished
White RAL 9003 polished.

Swivel castor with pedal brake
ø 75 mm.
Polyamide support with anti-
trace thermoplastic rubber.

Grey linking device in
nylon to join table tops
(optional).

4 or 6 resealable module (White, Black or
Grey) painted steel for electricity and/or
multimedia system.
Available with single cable management
(optional).

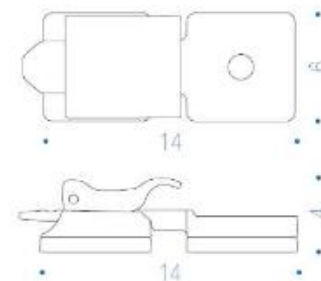
Black Polypropylene (PP)
cable management.



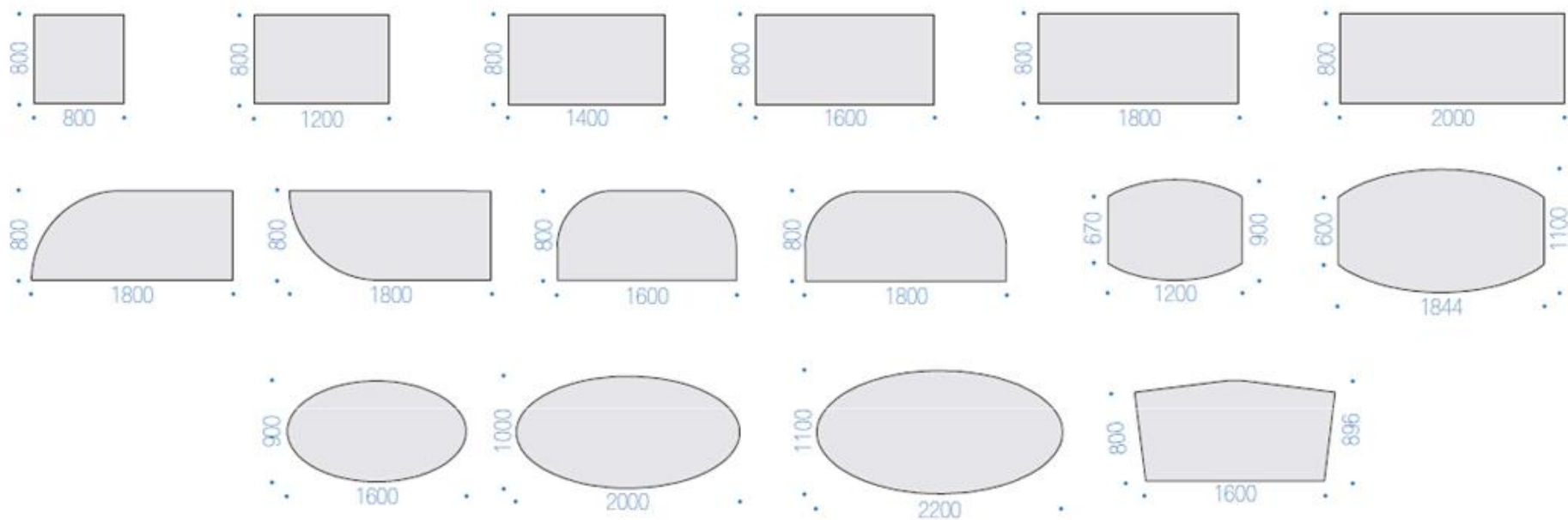


Grey linking device in nylon to join table tops.

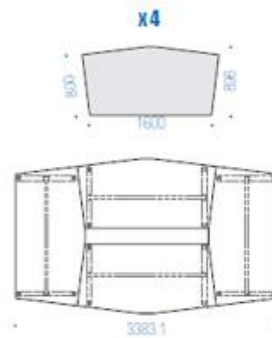
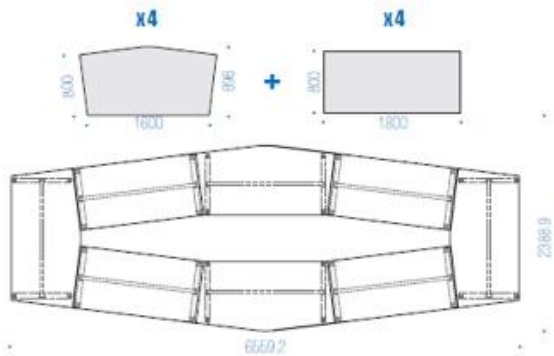
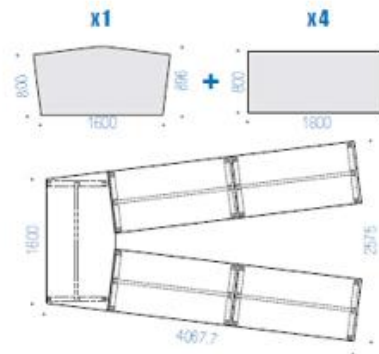
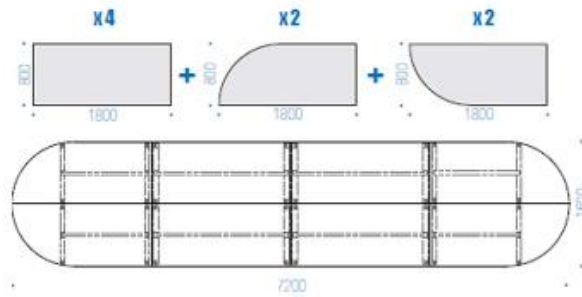
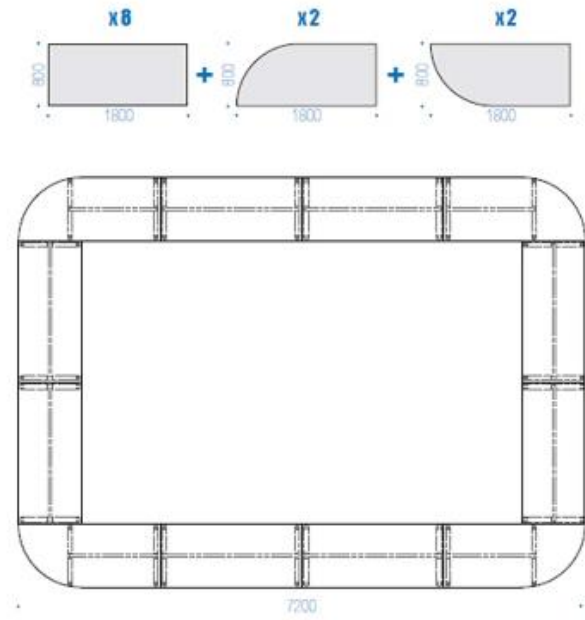
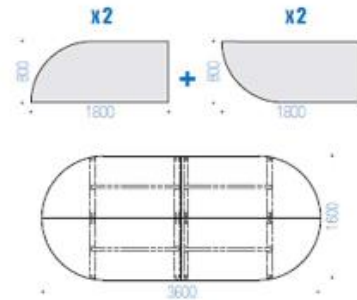
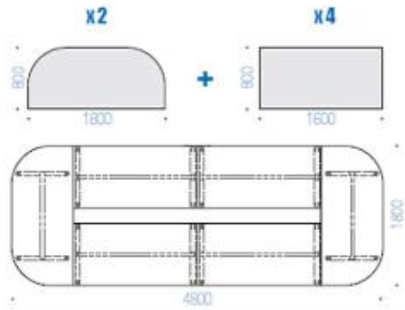
AGG10



Shapes and dimension tops



Compositions



REV.01/04/2019

Cleaning

For the metal parts, we recommend to only use a damp cloth with alcohol and to dry all very well after cleaning.
For the MFC or lacquered MDF Perfect Sense surface top, use a damp cloth with neutral liquid detergent.
Do not use solvents, trichloroethylene, acetone or ammonia.

Guaranteed

Our products are guaranteed for 5 years.
(detailed guarantee document available upon request).



UNI EN 1730:2000

Compliance certificate with BS EN 15372:2016, level 3°.



Compliance certificate with ANSI/BIFMA X5.5-2014.